

ACB002

# FRANKLIN

TECHNOLOGY | CABLE

CB09 | CB10

## FRONT | SIDE



FRONT



BACK

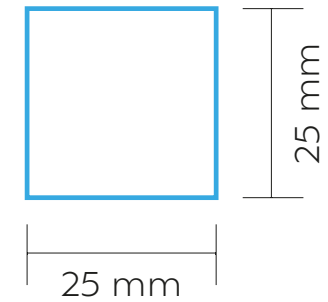
### PAD PRINTING | UV DIGITAL

MAX. COLOUR PRINT:

1 colours

Full colour

### FRONT | BACK



SCALE: 1:1

PRINT AREA

